

TUMBLE DRYERS

ECONOMY LINE

MTDE-55-MT

FEATURES

- Tumble dryer in galvanised steel.
- Big loading door (opening of 180°).
- Direct drive through a gearbox, no pulley.
- Time and temperature selection. (These models do not allow the moisture control option).
- REVERSE DRUM: All models offer the reverse turning of the drum.
- Drum in galvanised steel.
- Radial airflow circuit.
- New filter drawer with wide surface and improved airflow.
- Cool Down: Anti-wrinkle at the end of cycle.
- Models available in electric or gas heating.



OPTIONS

- Version in 60 Hz.
- Marine versions 440V III 60 Hz No neutral or 480V III 60 Hz No neutral.



ELECTRONIC CONTROL



AXIRAD AIR FLOW



REVERSE DRUM



SMART DRY



STAINLESS STEEL DRUM



FIRE EXTINGUISHER

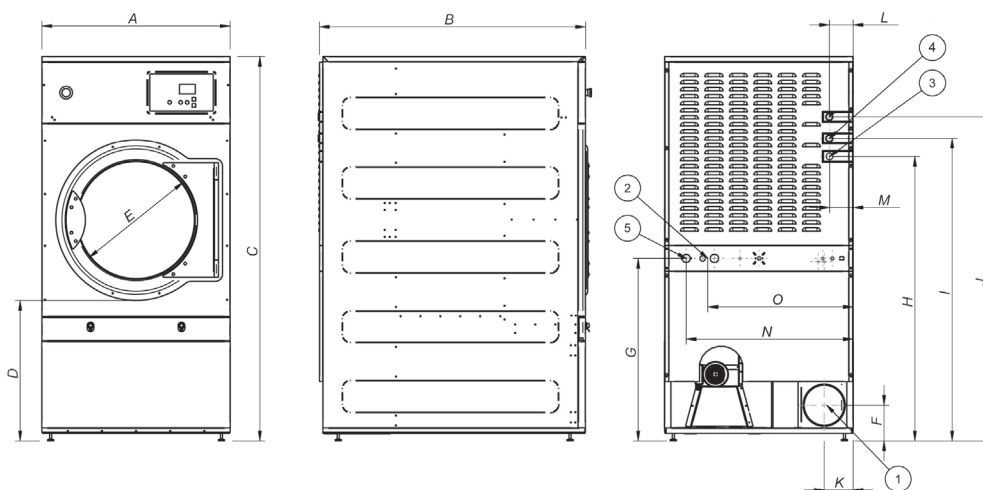


FULL FLOW



GENTLE DRY

TECHNICAL DATA	UNIT.	MTDE-55-MT
CAPACITY		
Capacity	Lb	55
Capacity	Kg	23
Hourly Output	Kg/h	46
Evaporation capacity	l/h	23,9
DRUM		
Ø Drum	mm	855
Ø Door	mm	574
Door center height	mm	1030
Load hole bottom height	mm	743
Drum length	mm	800
Drum volume	l	460
POWER		
Drum motor power	Kw	0,37
Fan Motor Power	Kw	0,55
Total Installed power	Kw	24,97
Electric Heating (Installed power)	Kw	24
Gas heating (installed Power) in KW	Kw	31
Gas heating (installed el. power)	Kw	0,97
Steam heating (Steam Power KW)	Kw	49,2
Steam heating (installed el. power)	Kw	0,97
CONNECTIONS		
Tension 230V - I + T	Nº x mm2 / A	-
Tension 230V - III + T	Nº x mm2 / A	4 x 25 / 80A
Tension 400V - III + N + T	Nº x mm2 / A	5 x 10 / 40A
Ø Gas inlet	BSP	1/2"
DIMENSIONS / PACKING DIMENSIONS		
Width / Width	mm	890/970
Depth / Depth	mm	1245/1345
Height / Height	mm	1812/1940
Height without heating battery	mm	-
Net weight / Gross weight	Kg	210/230
OTHERS		
Max airflow	m3/h	1200
Ø Fume exhaust	mm	200
Sound level	dB	65



	A	B	C	D	E	F	G	H	I	J	K	L	M	N	O
MTDE-55-MT	890	1.245	1.817	672	574	168	862	1.344	1.430	1.532	137	113	112	787	685

4317 E. Genesee Street Suite 100 DeWitt, New York 13214 USA
 Phone: 315 446-2180 Fax: 315-446-2431
 E-mail: sales@maxico.com

