

LOW SPIN WASHER

RELIABILITY AND ROBUSTNESS

MWCL-25-30-40

FEATURES

- Low spin rigid-mounted washer extractor.
- It is important to fix the machine to the floor. Anchoring base to order separately (not included).
- G Force 100.
- Body, drum and tub in stainless steel.
- Detergent dispenser with 4 compartments.
- 8 signals for automatic liquid dosing, programmable in time and delay.
- 3 water inlets.
- These machines have electronic control of imbalance with frequency inverter, that detects the unbalanced load before spinning. Standard frequency: 50 - 60 Hz.
- New microprocessor with touch screen. 26 preset programs (4 economic programs).
- Possibility of programming, exporting and importing programs without limit, software updates, through USB port, using USB drive.
- Traceability standard: All washing process (temperatures, water levels) is stored in the washer and can be extracted to a PC by means of a USB drive.
- RS-485 serial communication port for monitoring / remote management.
- Wet Cleaning standard in the microprocessor: fully adjustable water levels and washing speed for delicate.
- Optimal loading standard to optimize water and chemicals consumptions.
- LOADING AID feature with water and rotation control for easy loading of the linen.
- Self-service version available by installing a central pay or coin meter on the standard model.
- CE, WRAS and GOST approved product. Optional version for ETL certified product.

OPTIONS

- Double drain kit, allow the recovery of the water, with important water savings. Model MWCL-40.
- Drain pump kit for models MWCL-25 and MWCL-30.
- Relay card with 6 extra dosing signals: total of 14 signals in the machine.
- Steam kit to transform an electric or hot water heated machine into steam version.
- Self-Service Kits: Coiner and box; Central pay; Delayed opening door option in case of power outage.
- Anchorage base for correct fixation of the washer to the floor.
- 8 mm holes drum.
- Ship voltage for electric models: 440V III 50/60 Hz No neutral or 480V III 50/60 Hz No neutral.



TOUCH CONTROL



HOT & COLD MIX



OPTIMAL LOADING



WET CLEANING



STAINLESS
STEEL STANDARD



THIRD WATER INTAKE



IMBALANCE
INVERTER



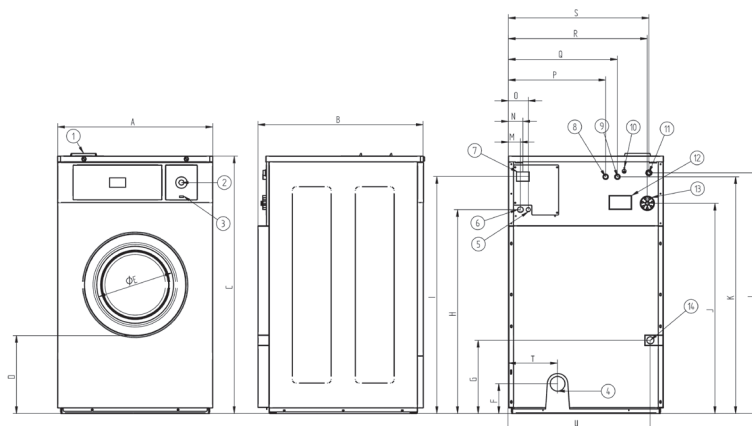
EFFICIENT DRUM



EASY MAINTENANCE

TECHNICAL DATA	UNIT.	MWCL-25	MWCL-30	MWCL-40				
DRUM								
Load capacity	lb	25	30	45				
Volume	l	100	130	180				
Diameter	mm	620	620	700				
Depth	mm	330	430	470				
GENERAL DETAILS								
Washing speed / Spining speed	r.p.m.	53/536	53/536	50/505				
G Factor	-	100	100	100				
Maximum force transmitted	KN	2,17 ±0,3	2,39 ±0,35	2,81 ±0,45				
Frequency-dynamic force	Hz	8,93	8,93	8,41				
Self-service version	-	Yes	Yes	Yes				
Double drain	-	No	No	Opt				
Option 8mm holes drum	-	Yes	Yes	Yes				
DOOR								
Height center door / Height door	mm	570/310	570/310	655/395				
Diameter	mm	373	373	373				
POWER								
Motor	kW	0,75	1	1,5				
Heating (Electric model)	kW	6	9	12				
Max. power (Electric model)	kW	6,25	9,3	12,5				
Max. power (steam and hot water)	kW	0,75	1	1,5				
CONNECTIONS								
		ELECTRICAL	STEAM / HOT WATER	ELECTRICAL	STEAM / HOT WATER	ELECTRICAL	STEAM / HOT WATER	
Tension 230V- I + N + T	N° x mm2 / A	3 x 4 / 32A	3 x 1,5 / 6A	3 x 10 / 50A	3 x 1,5 / 10A	3 x 16 / 63A	3 x 1,5 / 10A	
Tension 230V- III + T	N° x mm2 / A	3 x 2,5 / 20A	-	3 x 4 / 25A	-	3 x 6 / 40A	-	
Tension 400V- III + N + T	N° x mm2 / A	3 x 1,5 / 10A	-	3 x 1,5 / 16A	-	3 x 2,5 / 20A	-	
Steam inlet (Steam mod.)	inch	1/2"		1/2"		1/2"		
Maximum steam consumption (Steam mod.)	Kg/h	7		8,5		12		
Water inlet	inch	3/4"		3/4"		3/4"		
Water main pressure	Kgs/cm ²	2-4		2-4		2-4		
Maximum water consumption*	Lit/h	61,5		78,8		120		
Drain	mm/inch	3"		3"		3"		
Drainage capacity	Lit/min	200		200		200		
DIMENSIONS / PACKING DIMENSIONS								
Width / Width	mm	719/800		719/800		788/860		
Depth / Depth	mm	684/990		830/990		840/1.010		
Height / Height	mm	1.158/1.350		1.158/1.350		1.307/1.500		
Net weight / Gross weight	kg	217/225		239/247		281/301		
Volume	m ³	1,07		1,07		1,30		

* N°20 Program, 75% load



01. Soap dispenser
02. Emergency stop
03. Usb port
04. Drain
05. Electric connection to liquid soap pumps
06. Electrical connection
07. Main switch
08. Auxiliar water inlet
09. Hot water inlet
10. Ground connection
11. Cold water inlet
12. Blur output / water overload
13. Liquid soap connection
14. Steam connection

	A	B	C	D	E	F	G	H	I	J	K	L	M	N	O	P	Q	R	S	T	U
MWCL-25	719	684	1.158	310	373	144	440	886	1.055	940	1.053	1.073	61	74	101	440	495	637	650	211	654
MWCL-30	719	830	1.158	310	373	144	440	886	1.055	940	1.053	1.073	61	74	101	440	495	637	650	211	654
MWCL-40	788	840	1.307	395	373	150	371	1.035	1.203	1.067	1.202	1.222	61	74	101	494	554	706	714	248	718

4317 E. Genesee Street Suite 100 DeWitt, New York 13214 USA
 Phone: 315 446-2180 Fax: 315-446-2431
 E-mail: sales@maxico.com



REV. 05/2017