

BARRIER WASHER EXTRACTORS

POWER, CONTROL AND TOTAL DISINFECTION

MWFMED-145

FEATURES

- High spin soft mounted washer extractor, no need of anchorage, 2 opposed doors.
- Extraction speed 945 RPM.
- G force 400.
- Horizontally suspended drum by means of 2 axles which increase robustness, 2 compartments.
- Electric or steam heating.
- New TOUCH microprocessor with Touch Screen and a lot of devices for a greater flexibility.
- 26 preset programs, unlimited creation of new programs.
- WET CLEANING system integrated (standard).
- Standard double display.
- OPTIMAL LOAD system integrated: manual indication of the load.
- 3 water inlets standard.
- Capacity 145 lbs.
- Body, drum and vat in stainless steel.
- Soap dispenser with 4 compartments.
- 8 signals for dosing pumps.
- Out of balance detection by means of the inverter.
- Traceability - data storage integrated.



OPTIONS

- 2nd drain valve.
- Central position drain valve.
- Detergent bath sampling.
- Weighing sensor system on feet.
- Electric brake.
- Relay card to increase up to 14 signals for liquid dosing.
- Lighting column at the end of cycle.
- Dual heating electric+steam.
- Plinth up to height 850mm door bottom.
- Stainless steel wall frame.
- Vertical door opening for MWFMED-145.



TOUCH CONTROL



HOT & COLD MIX



OPTIMAL LOADING



WET CLEANING



STAINLESS
STEEL STANDARD



THIRD WATER INTAKE



IMBALANCE
INVERTER



EFFICIENT DRUM



EASY MAINTENANCE

TECHNICAL DATA

UNIT.

MWFMED-145

DRUM		
Capacity	lb/kg	145/66
Volume	l	667
Diameter	mm	800
Depth	mm	1.327
Number of compartments	Nº.	2

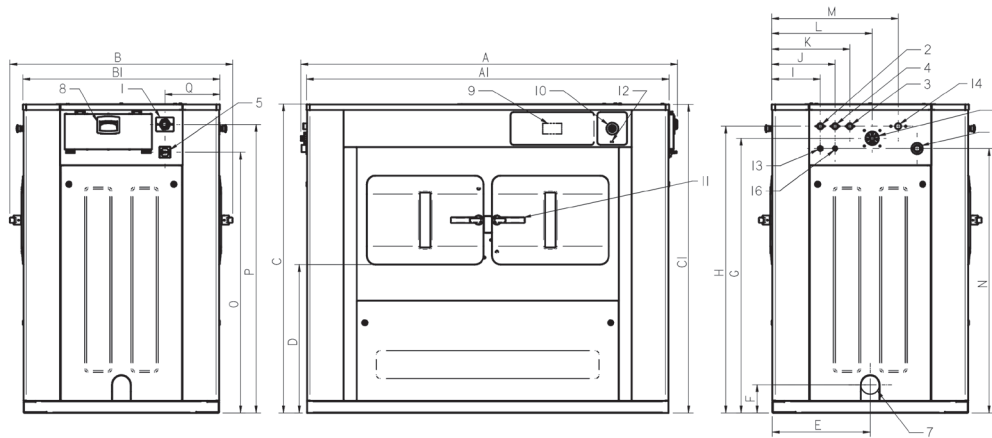
GENERAL DETAILS		
Washing speed / Spining speed	r.p.m.	45 / 900
G Factor	-	360
Maximum force transmitted	KN	17,13 ±4,8
Frequency-dynamic force	Hz	15
Sound level	dB	< 70
Double drain	-	Opt
Weighing System	-	Opt

DOOR		
Height base door	mm	798
Drum opening dimensions	mm	450 x 320
Vat opening dimensions	mm	510 x 460 (x2)

POWER		
Motor	kW	7,5
Electric heating	kW	45
Max. power (Electric model)	kW	52,5
Max. power (Hot water model)	kW	7,5
Max. power (Steam model)	kW	7,5

CONNECTIONS		ELECTRIC	STEAM / HOT WATER
Tension 230V- I + N + T	Nº x mm2 / A	-	-
Tension 230V- III + T	Nº x mm2 / A	4 x 35 / 160A	4 x 2,5 / 16A
Tension 400V- III + N + T	Nº x mm2 / A	5 x 16 / 80A	5 x 2,5 / 10A
Steam inlet (Steam mod.)	inch		3/4"
Maximum steam consumption (Steam mod.)	Kg/h		34,2
Water inlet	inch		1"
Water main pressure	Kgs/cm ²		3-5
Maximum water consumption*	Lit/h		730*
Drain	mm/inch		3"
Drainage capacity	Lit/min		200

DIMENSIONS / PACKING DIMENSIONS		
Width / Width	mm	1.955 / 2.102
Depth / Depth	mm	1.062 / 1.222
Height / Height	mm	1.660 / 1.694
Net weight / Gross weight	kg	1.233 / 1.275
Volume	m ³	4,35



* N°2 Program, 100% load

- 01. Electrical connection
- 02. Hot water
- 03. Cold water
- 04. Soft water
- 05. Main switch
- 06. Liquid soap inlet
- 07. Drain
- 08. Soap box
- 09. Control panel
- 10. Emergency stop button
- 11. Door opening
- 12. USB port
- 13. Pump connection for soap box
- 14. Steam inlet
- 15. Vent
- 16. Water for soap box

	A	B	C	A1	B1	C1	D	E	F	G	H	I	J	K	L	M	N	O	P	Q	R	S
MWFMED-145	2.032	1.201	1.662	1.955	1.062	1.660	798	528	152	1.423	1.478	1.543	262	342	422	542	672	782	1.403	1.553	296	-

4317 E. Genesee Street Suite 100 DeWitt, New York 13214 USA
 Phone: 315 446-2180 Fax: 315-446-2431
 E-mail: sales@maxico.com

