

CHICAGO[®]



Small Ironer Series

Comet Executive[™] Cadet[™] Breeze[™]

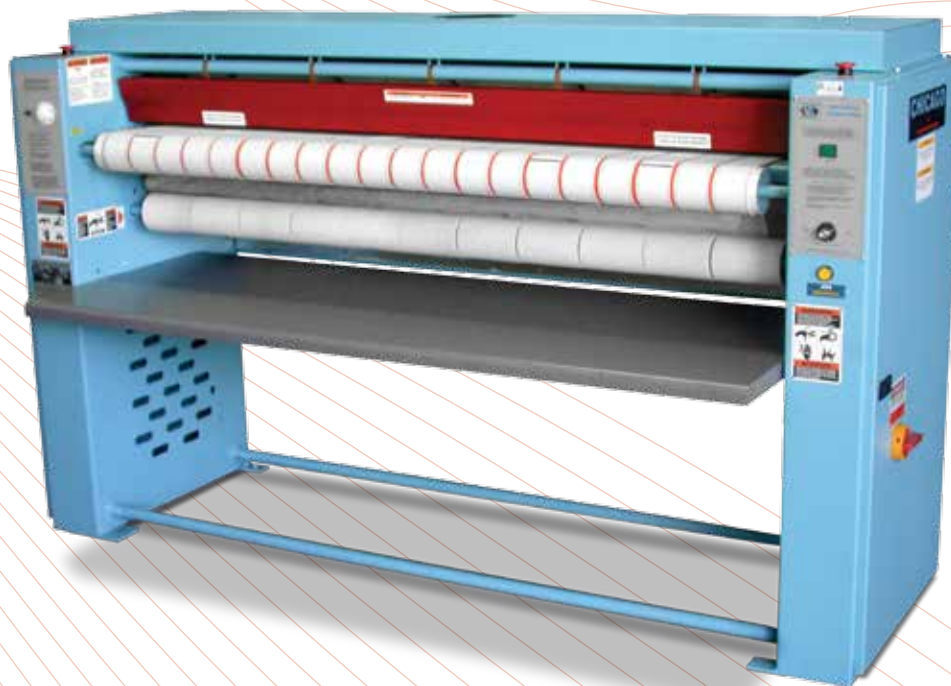


America's Finest Compact Flatwork Ironers

Laundries that need to produce limited quantities of medium and small piece items can count on the experience and dependability of Chicago. Our century of ironer designing and building expertise meets the most basic finishing needs of laundries, banquet halls, restaurants and clubs where quality finished linen is essential to success. The Comet Executive has a 14" (350mm) diameter ironing roll, with widths of 56" (1400mm), 66" (1600mm) or 80" (2000mm), while the Cadet has a 12-3/4" (324mm) diameter ironing roll, and widths of 48" (1200mm) and 60" (1500mm). Comet and Cadet are available in various heat sources (gas, steam, electric) and are perfect when floor space is limited. The Breeze utilizes a 13" (325mm) diameter gas heated roll with a width of up to 120" (3050mm) to also handle larger items.

Comet Executive

The Comet Executive is the highest producing compact finisher available for use in a wide variety of restaurant, club and banquet operations looking for high output and quality finish. The Comet Executive's full 14" (350mm) diameter heated roll produces 15 to 20% more finished linen per hour with the highest BTU/heat generation capacity of any compact ironer. Similar to Chicago's larger equipment, Comet Executive features heavy-duty construction, easy feeding canvas input ribbon conveyor and compression roll. Full exhaust canopy with wraparound insulated heat shield keeps heat working inside the ironer instead of escaping into the laundry room. A 1/3 HP motor driven blower and touch control AC frequency inverter variable speed drive are standard on all models. Available in a choice of high efficiency gas heated, ASME approved steam heated and reliable electric heated cylinders to match the heat source that best suits the location.



Comet Executive Standard Features

- Oversized polished steel heated 14" (350mm) diameter cylinder available in 80" (2000mm), 66" (1600mm) or 56" (1400mm) useable width
- Choice of gas, steam or electric heated cylinder
- 10-35 FPM speed range—fastest in its class
- Dries and irons tabletops, pillowcases, napkins and other linen—including 100% cotton, polyester/cotton and VISA® blends
- Gas heated models available for all types of gas

Comet Options

- Premium model with heavy duty chrome plated cylinder and Chicago exclusive OEM upgraded Hy-Lyfe® ribbons for substantially less waxing and longer textile life

Cadet

The Cadet is Chicago's smallest flatwork finisher featuring a powerful oversized revolving heated cylinder with a usable ironing width of 48" (1200mm) or 60" (1500mm). Its 12-3/4" (324mm) diameter heated roll offers 44% higher finishing capacity and more drying power than Chicago's previous smallest model at an extremely attractive price. Standard equipment includes compression roll, complete stop buttons and full length stop bar, input feed conveyor and a full exhaust canopy—complete with wraparound insulated heat shield and 1/4 HP blower/motor to properly exhaust the ironer, meet code requirements and improve operator comfort in the laundry room. High efficiency gas heated and reliable electric heated models are offered to match the production needs of the user.



Cadet Standard Features

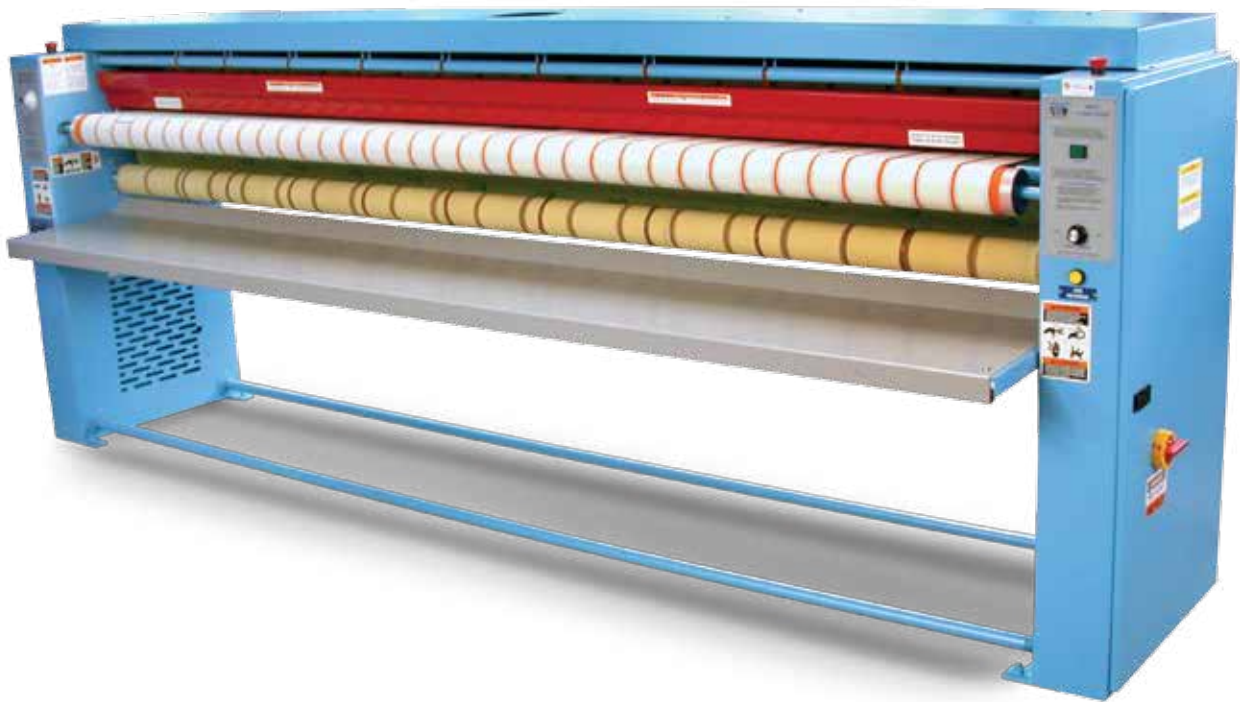
- Polished steel heated 12-3/4" (324mm) diameter cylinder available in either 48" (1200mm) or 60" (1500mm) useable width
- Environmentally safe, temperature resistant Nomex® ironing textiles for long service life
- Dries and irons tabletops, pillowcases, napkins and other linen—including 100% cotton, polyester/cotton and VISA® blends
- Choice of gas or electric heated cylinder

Cadet Options

- Premium model with heavy duty chrome plated cylinder and Chicago exclusive OEM upgraded Hy-Lyfe® ribbons for substantially less waxing and longer textile life

Breeze

The Breeze is designed for users with full-length finishing requirements (sheet or banquet cloth) but whose quantity (poundage per hour) needs are substantially less than the higher production capacity of the high output Chicago Laser 13 with full power burner system. The Breeze utilizes a 13" (325mm) diameter heated roll, with natural draft burner, for ironing linen up to 120" (3050mm) wide, crisply drying and ironing all blends of sheets, tabletops, pillowcases, napkins and other flatwork. Breeze also offers an energy efficient gas heated format with adjustable temperature control and high limit protection.



Breeze Standard Features

- Polished steel heated 13" (325mm) diameter cylinder available in a full-size 120" (3050mm) width
- Environmentally safe, temperature resistant Nomex® ironing textiles for long service life
- Energy efficient gas heated format with adjustable temperature control and high limit protection
- Exhaust canopy with full-size 1/3 HP exhaust blower for venting of excess heat and combustion by-products
- Dries and irons sheets, tabletops, pillowcases, napkins and other linen— including 100% cotton, polyester/cotton and VISA® blends
- Models available for all types of gas

Breeze Options

- Premium model with heavy duty chrome plated cylinder and Chicago exclusive OEM upgraded Hy-Lyfe® ribbons for substantially less waxing and longer textile life
- 136" (3450mm) roll width for larger items

Two Reasons You Need An Ironer — Quality and Efficiency!

For the very finest operations where all-cotton linen is used, quality ironing is absolutely required. Most users also know that when using blended or even VISA[®] linen, there is no substitute for the appearance and feel that only a crisply ironed tabletop, napkin, pillowcase or sheet can provide. Ironed linen conveys a message of quality and cleanliness: that an establishment is professional and first class.

Ironed quality can be achieved with great efficiency because Chicago ironers are designed to finish linen taken directly from the washer-extractor — eliminating the time consuming and energy-costly process of tumble drying. This is because Chicago ironers actually perform three functions on wet linen in one continuous process: drying (removing moisture), ironing (removing wrinkles), and finishing (adding a fine gloss finish). The labor time and costly BTU consumption normally required by a dryer are also eliminated, thus making it more environmentally friendly.

Put Your Trust in Chicago[®]

Chicago specializes in finishing systems for feeding, ironing, folding and stacking of flatwork such as sheets, pillowcases, tabletops, napkins and other linens. Chicago is proud to be the only full line ironer and folder manufacturer that designs all of its own products and completely fabricates and assembles them in the U.S. to assure complete quality control, parts availability and ease of service. Chicago's reputation for parts and service support many years after the initial sale is well documented in installations ranging from hotels, institutions and hospitals to commercial, restaurant and club laundries. Our dependable small piece finishers are a perfect fit when your laundry facility requires high output and a quality finish.

Standard Features for All Three Compact Ironers

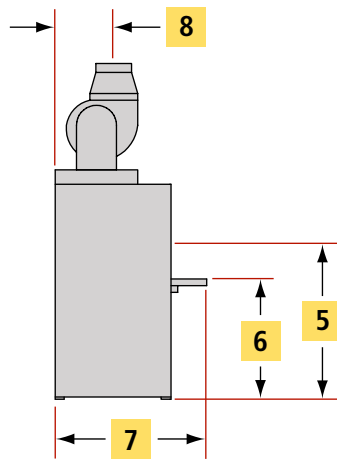
- Compression roll for improved flatwork finish
- Touch control AC frequency inverter variable speed drive with soft-start, dynamic braking and jog reverse for maintenance-free speed control
- Pre-shrunk clipper laced canvas feed ribbons
- Front delivery tables for convenient removal of finished linen from front of ironer
- Safety features include full-length safety finger bar, red wire safety guards, interlocked end panels, stop buttons, and bilingual safety labels
- U.S. designed and manufactured for complete quality control and prompt parts availability

Comet Executive, Cadet and Breeze Dimensions and Utilities

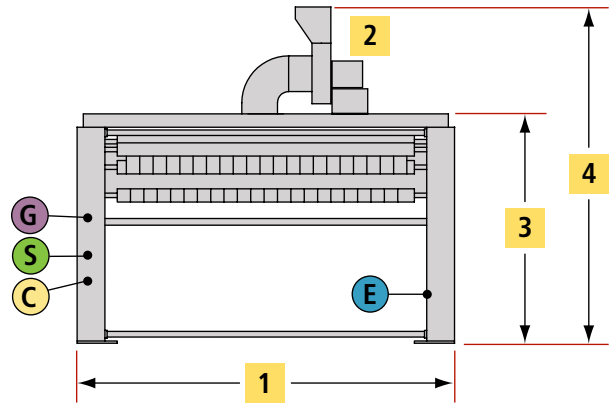
Notes:

1. Specifications subject to change without notice. Consult factory for certified construction floor plan.
2. Millimeter dimensions are in [].
3. All dimensions are $\pm 1/2$ ".
4. Utility connections are located as shown.
5. Spec information and floor plans are for standard machines. Different length models available. Consult factory for details.

Side View



Front View



Gas Steam Electric Heated Models

		Cadet	Comet Executive	Breeze
		48" 60"	56" 66" 80"	120"
Electrical - Gas	E	AT 7" HT. [178]	AT 7" HT. [178]	AT 7" HT. [178]
Electrical - Steam	E	—	AT 7" HT. [178]	—
Electrical - Electric	E	AT 10-1/2" HT. [267]	AT 10-1/2" HT. [267]	—
Gas Connection	G	1/2" AT 28-1/2" HT. [724]	1/2" AT 28-1/2" HT. [724]	1/2" AT 28-1/2" HT. [724]
Steam Inlet	S	—	1/2" AT 20" HT. [508]	—
Condensate Return	C	—	1/2" AT 15" HT. [381]	—
1		67" [1702] 79" [2007]	75" [1905] 85" [2153] 99" [2508]	139" [3531]
2		6" VENT	8" VENT	8" VENT
3		52" [1308]	52" [1308]	52" [1308]
4		76" [1918]	76" [1918]	74" [1867]
5		35" [889]	35" [889]	41" [1041]
6		27" [686]	27" [686]	28" [711]
7		34" [864]	34" [864]	34" [864]
8		13" [330]	13" [330]	14" [343]

A Complete Range of Separating, Feeding, Ironing, Folding and Sorting Options

Because Chicago specializes only in flatwork finishing equipment, it can offer the world's widest range of high production separating, feeding, ironing, folding, and sorting equipment. Complete flatwork finishing systems range from automated multi-roll systems producing over 2,000 pounds per hour, to compact ironers for small on-premise laundries.

Chicago's performance record is unmatched in thousands of installations in commercial, hospitality, health care, textile rental, institutional, and on-premise laundries all over the world. An experienced Chicago professional will be pleased to make an objective equipment recommendation based on your production, space, utility, and budget requirements. Contact your local

Chicago distributor or the factory sales assistance office for a no-obligation analysis of your needs.

Chicago's customer service department offers full technical and service support by telephone, email and on our website. We also offer overnight service for quick parts availability.

Visit our website, www.chidry.com, to learn more about our complete line of flatwork finishing systems. Newly redesigned, and now mobile-friendly, easily access current product brochures, detailed floor plans and specifications, as well as brief demonstration videos of select Chicago® equipment in action.



CHICAGO DRYER COMPANY
2200 North Pulaski Road
Chicago, Illinois 60639-3737 USA

Phone • 773.235.4430
Fax • 773.235.4439

Web • www.chidry.com
Email • chicago@chidry.com

Bulletin #7582